

MITSUBISHI IGBT MODULES

CM200RX-12A

HIGH POWER SWITCHING USE

CM200RX-12A

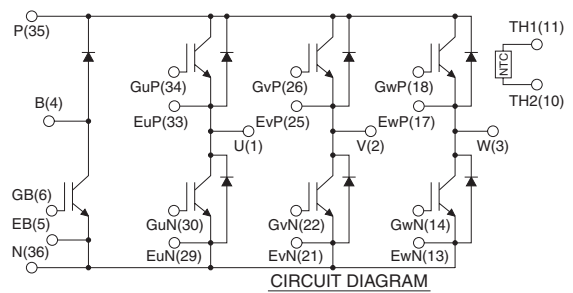
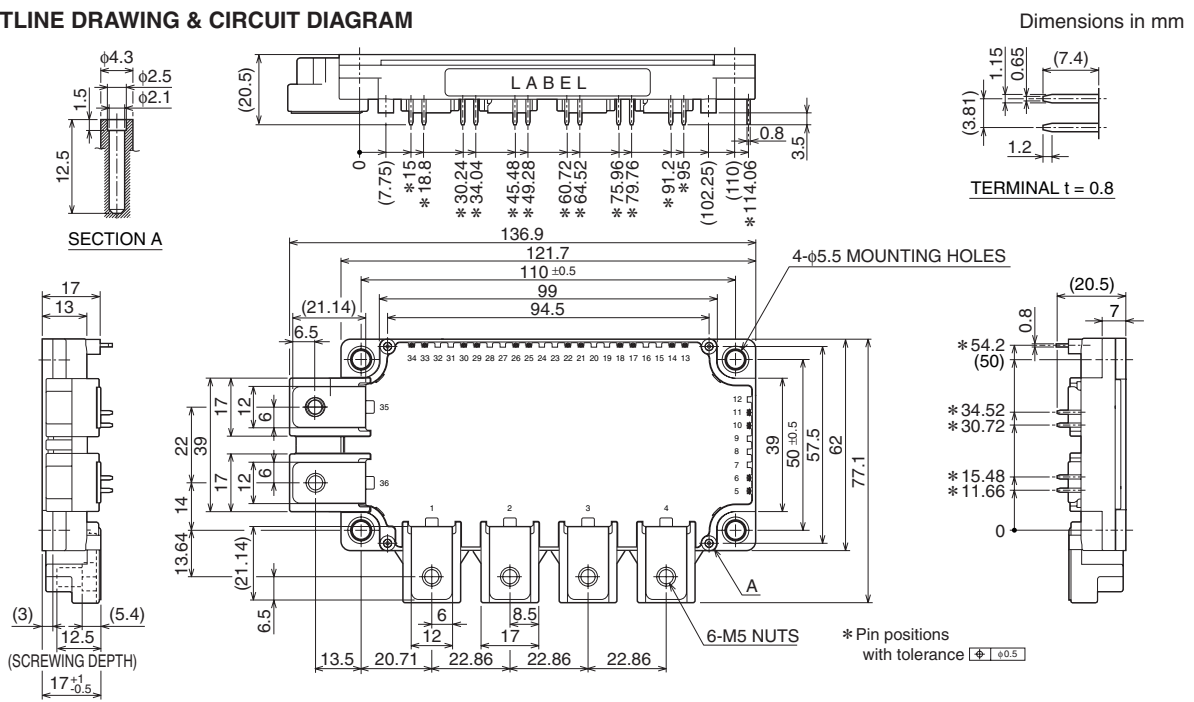


- Ic 200A
- VCES 600V
- 7pack (3-phase Inverter + Brake)
- Flatbase Type / Insulated Package / Copper (non-plating) base plate
- RoHS Directive compliant

APPLICATION

General purpose Inverters, Servo Amplifiers

OUTLINE DRAWING & CIRCUIT DIAGRAM



Tolerance otherwise specified

Division of Dimension	Tolerance
0.5 to 3	±0.2
over 3 to 6	±0.3
over 6 to 30	±0.5
over 30 to 120	±0.8
over 120 to 400	±1.2

CM200RX-12A

HIGH POWER SWITCHING USE

ABSOLUTE MAXIMUM RATINGS (Tj = 25°C, unless otherwise specified)

INVERTER PART

Symbol	Parameter	Conditions	Rating	Unit
V _{CES}	Collector-emitter voltage	G-E Short	600	V
V _{GES}	Gate-emitter voltage	C-E Short	±20	
I _C	Collector current	DC, Tc = 68°C (Note. 1)	200	A
I _{CRM}		Pulse (Note. 4)	400	
P _C	Maximum collector dissipation	Tc = 25°C (Note. 1, 5)	735	W
I _E (Note.3)	Emitter current	Tc = 25°C (Note. 1)	200	A
I _{ERM} (Note.3)	(Free wheeling diode forward current)	Pulse (Note. 4)	400	

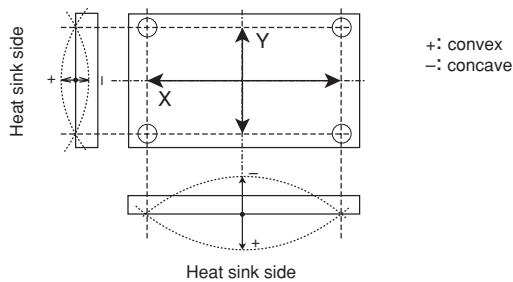
BRAKE PART

Symbol	Parameter	Conditions	Rating	Unit
V _{CES}	Collector-emitter voltage	G-E Short	600	V
V _{GES}	Gate-emitter voltage	C-E Short	±20	
I _C	Collector current	DC, Tc = 75°C (Note. 1)	100	A
I _{CRM}		Pulse (Note. 4)	200	
P _C	Maximum collector dissipation	Tc = 25°C (Note. 1, 5)	400	W
V _{RRM} (Note.3)	Repetitive peak reverse voltage		600	V
I _F (Note.3)	Forward current	Tc = 25°C (Note. 1)	100	A
I _{FRM} (Note.3)		Pulse (Note. 4)	200	

MODULE

Symbol	Parameter	Conditions	Rating	Unit
T _j	Junction temperature		-40 ~ +150	°C
T _{stg}	Storage temperature		-40 ~ +125	
V _{iso}	Isolation voltage	Terminals to base plate, f = 60Hz, AC 1 minute	2500	V _{rms}
—	Base plate flatness	On the centerline X, Y (Note. 8)	±0 ~ +100	μm
—	Torque strength	Main terminals M5 screw	2.5 ~ 3.5	N·m
—	Torque strength	Mounting M5 screw	2.5 ~ 3.5	
—	Weight	(Typical)	330	g

Note. 8: The base plate flatness measurement points are in the following figure.



CM200RX-12A

HIGH POWER SWITCHING USE

ELECTRICAL CHARACTERISTICS (T_J = 25°C, unless otherwise specified)

INVERTER PART

Symbol	Parameter	Conditions	Limits			Unit	
			Min.	Typ.	Max.		
ICES	Collector cutoff current	VCE = VCES, VGE = 0V	—	—	1	mA	
VGE(th)	Gate-emitter threshold voltage	IC = 20mA, VCE = 10V	5	6	7	V	
IGES	Gate leakage current	±VGE = VGES, VCE = 0V	—	—	0.5	μA	
VCE(sat)	Collector-emitter saturation voltage	IC = 200A, VGE = 15V (Note. 6)	T _J = 25°C	—	1.7	2.1	V
			T _J = 125°C	—	1.9	—	
		IC = 200A, VGE = 15V	Chip	—	1.6	—	
Cies	Input capacitance	VCE = 10V VGE = 0V (Note. 6)	—	—	27	nF	
Coes	Output capacitance		—	—	2.7		
Cres	Reverse transfer capacitance		—	—	0.8		
QG	Total gate charge	VCC = 300V, IC = 200A, VGE = 15V	—	530	—	nC	
td(on)	Turn-on delay time	VCC = 300V, IC = 200A	—	—	120	ns	
tr	Turn-on rise time	VGE = ±15V, RG = 5.1Ω	—	—	150		
td(off)	Turn-off delay time	Inductive load	—	—	350		
tf	Turn-off fall time		—	—	600		
trr (Note.3)	Reverse recovery time		—	—	200		
Qrr (Note.3)	Reverse recovery charge	(IE = 200A)	—	5	—	μC	
VEC(Note.3)	Emitter-collector voltage	IE = 200A, VGE = 0V (Note. 6)	T _J = 25°C	—	2.0	2.8	V
			T _J = 125°C	—	1.95	—	
		IE = 200A, VGE = 0V	Chip	—	1.9	—	
Rth(j-c)Q	Thermal resistance (Junction to case) (Note. 1)	per IGBT	—	—	0.17	K/W	
Rth(j-c)R		per free wheeling diode	—	—	0.33		
RGint	Internal gate resistance	Tc = 25°C, per switch	—	0	—	Ω	
RG	External gate resistance		3.0	—	31		

BRAKE PART

Symbol	Parameter	Conditions	Limits			Unit	
			Min.	Typ.	Max.		
ICES	Collector cutoff current	VCE = VCES, VGE = 0V	—	—	1	mA	
VGE(th)	Gate-emitter threshold voltage	IC = 10mA, VCE = 10V	5	6	7	V	
IGES	Gate leakage current	±VGE = VGES, VCE = 0V	—	—	0.5	μA	
VCE(sat)	Collector-emitter saturation voltage	IC = 100A, VGE = 15V (Note. 6)	T _J = 25°C	—	1.7	2.1	V
			T _J = 125°C	—	1.9	—	
		IC = 100A, VGE = 15V	Chip	—	1.6	—	
Cies	Input capacitance	VCE = 10V VGE = 0V (Note. 6)	—	—	13.3	nF	
Coes	Output capacitance		—	—	1.4		
Cres	Reverse transfer capacitance		—	—	0.45		
QG	Total gate charge	VCC = 300V, IC = 100A, VGE = 15V	—	270	—	nC	
IRRM(Note.3)	Repetitive peak reverse current	VR = VRRM	—	—	1	mA	
VFM(Note.3)	Forward voltage drop	IF = 100A (Note. 6)	T _J = 25°C	—	2.0	2.8	V
			T _J = 125°C	—	1.95	—	
		IF = 100A	Chip	—	1.9	—	
Rth(j-c)Q	Thermal resistance (Junction to case) (Note. 1)	per IGBT	—	—	0.31	K/W	
Rth(j-c)R		per Clamp diode	—	—	0.59		
RGint	Internal gate resistance	Tc = 25°C	—	0	—	Ω	
RG	External gate resistance		6.0	—	62		

CM200RX-12A

HIGH POWER SWITCHING USE

NTC THERMISTOR PART

Symbol	Parameter	Conditions	Limits			Unit
			Min.	Typ.	Max.	
R	Zero power resistance	Tc = 25°C	4.85	5.00	5.15	kΩ
ΔR/R	Deviation of resistance	Tc = 100°C, R100 = 493Ω	-7.3	—	+7.8	%
B(25/50)	B constant	Approximate by equation (Note. 7)	—	3375	—	K
P25	Power dissipation	Tc = 25°C	—	—	10	mW

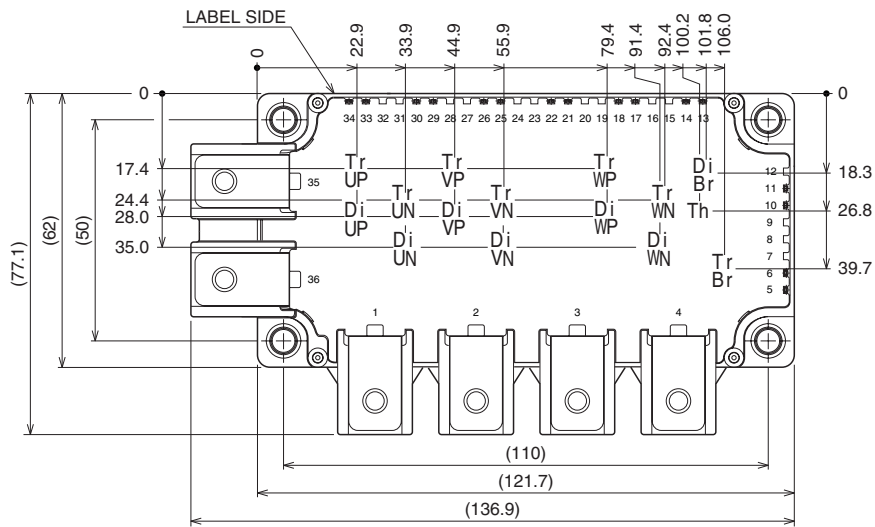
MODULE

Symbol	Parameter	Conditions	Limits			Unit
			Min.	Typ.	Max.	
R _{th(c-f)}	Contact thermal resistance (Case to fin) (Note. 1)	Thermal grease applied per 1 module (Note. 2)	—	0.015	—	K/W

- Note. 1: Case temperature (T_C), heat sink temperature (T_T) measured point is just under the chips. (Refer to the figure of the chip location.)
 2: Typical value is measured by using thermally conductive grease of λ = 0.9W/(m·K).
 3: I_E, I_{ERM}, V_{EC}, t_{rr} and Q_{rr} represent ratings and characteristics of the anti-parallel, emitter-collector free wheeling diode (FWDi). I_F, I_{FRM}, V_F, V_{RRM} and I_{RRM} represent ratings and characteristics of the Clamp diode of Brake part.
 4: Pulse width and repetition rate should be such that the device junction temperature (T_j) dose not exceed T_{jmax} rating.
 5: Junction temperature (T_j) should not increase beyond 150°C.
 6: Pulse width and repetition rate should be such as to cause negligible temperature rise. (Refer to the figure of the test circuit for V_{CE(sat)} and V_{EC})
 7: $B(25/50) = \ln(\frac{R_{25}}{R_{50}}) / (\frac{1}{T_{25}} - \frac{1}{T_{50}})$
 R₂₅: resistance at absolute temperature T₂₅ [K]; T₂₅ = 25 [°C]+273.15 = 298.15 [K]
 R₅₀: resistance at absolute temperature T₅₀ [K]; T₅₀ = 50 [°C]+273.15 = 323.15 [K]

Chip Location (Top view)

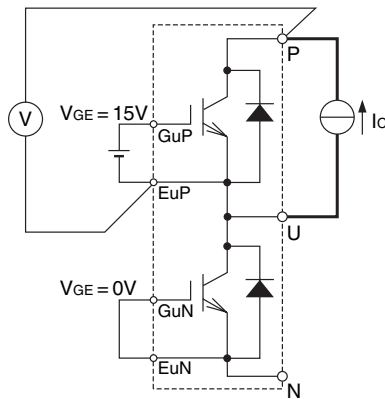
Dimensions in mm (tolerance: ±1mm)



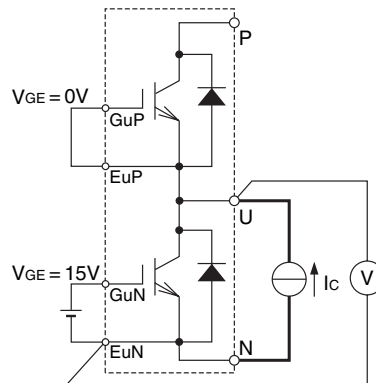
Each mark points the center position of each chip. Tr**: IGBT, Di**: FWDi (DiBr: Clamp diode), Th: NTC thermistor

CM200RX-12A

HIGH POWER SWITCHING USE

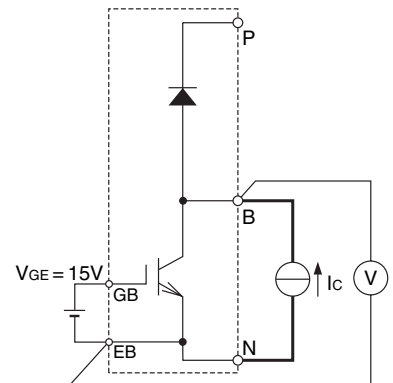


P side Inverter part Tr
(example of U arm)
 $V_{GE} = 0V(G_{vP-EvP}, G_{wP-EwP}, G_{vN-EvN}, G_{wN-EwN}, GB-EB)$

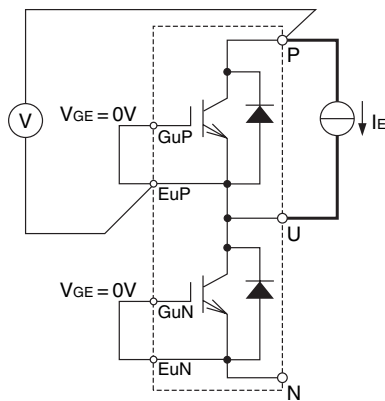


N side Inverter part Tr
(example of U arm)
 $V_{GE} = 0V(G_{vP-EvP}, G_{wP-EwP}, G_{vN-EvN}, G_{wN-EwN}, GB-EB)$

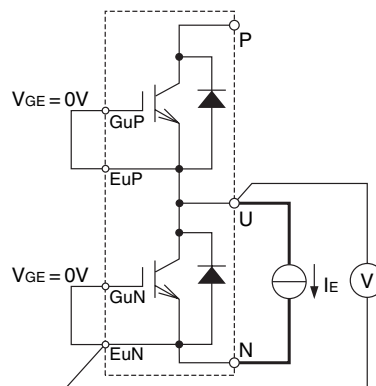
VCE(sat) test circuit



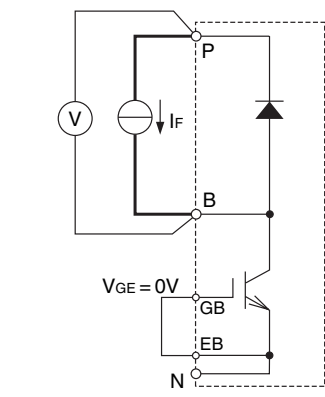
Br Tr
 $V_{GE} = 0V(G_{uP-EuP}, G_{vP-EvP}, G_{wP-EwP}, G_{uN-EuN}, G_{vN-EvN}, G_{wN-EwN})$



P side Inverter part Di
(example of U arm)
 $V_{GE} = 0V(G_{vP-EvP}, G_{wP-EwP}, G_{vN-EvN}, G_{wN-EwN}, GB-EB)$

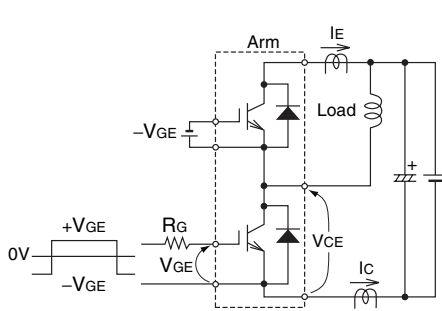


N side Inverter part Di
(example of U arm)
 $V_{GE} = 0V(G_{vP-EvP}, G_{wP-EwP}, G_{vN-EvN}, G_{wN-EwN}, GB-EB)$

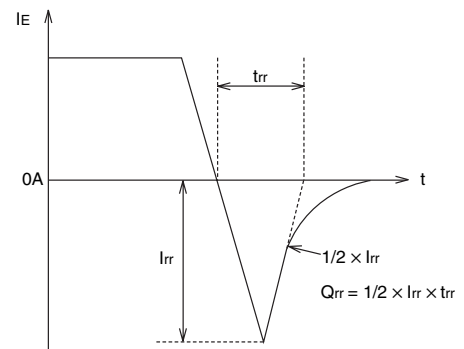
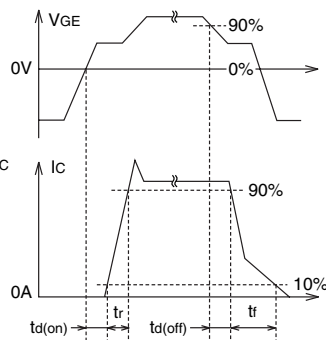


Br Di
 $V_{GE} = 0V(G_{uP-EuP}, G_{vP-EvP}, G_{wP-EwP}, G_{uN-EuN}, G_{vN-EvN}, G_{wN-EwN})$

VEC/VFM test circuit

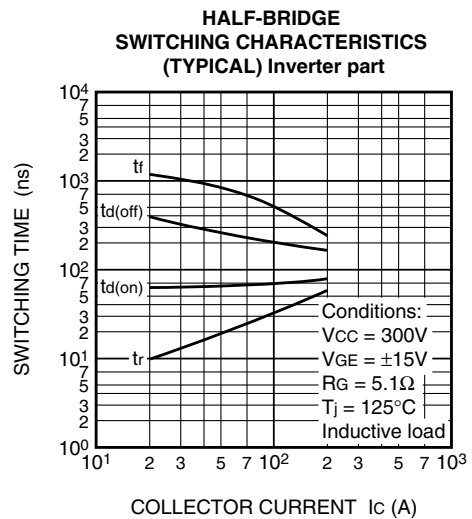
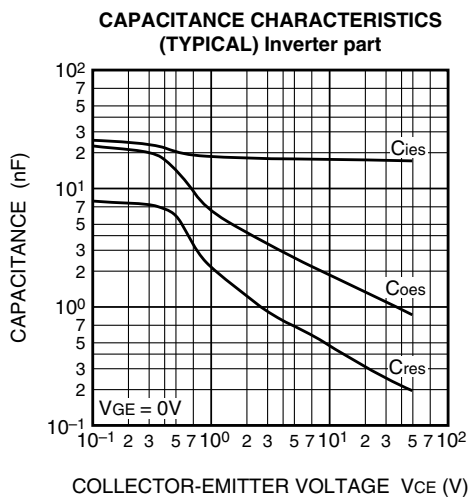
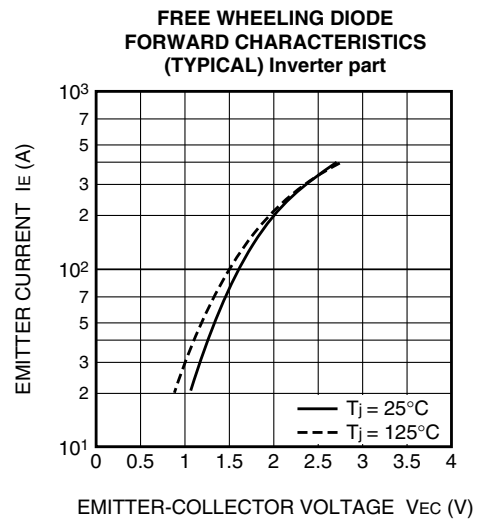
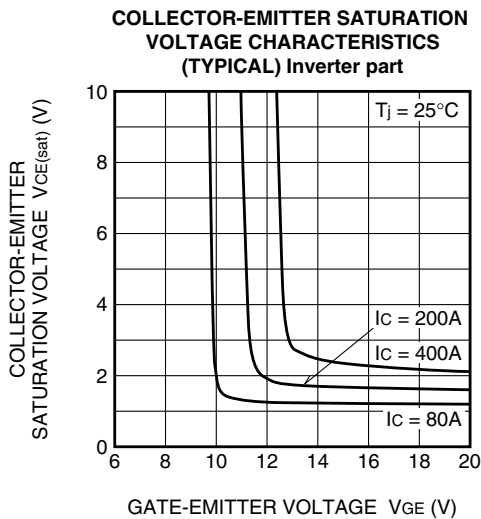
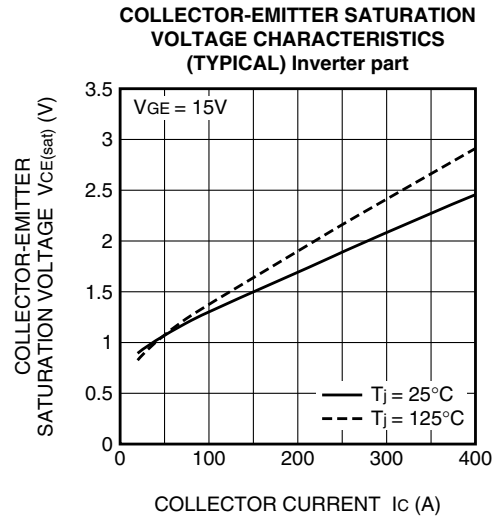
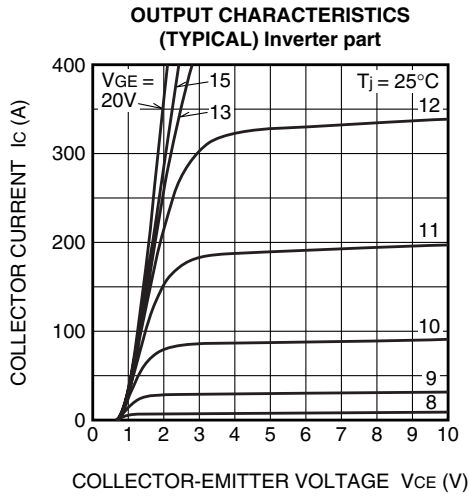


Switching time test circuit and waveforms

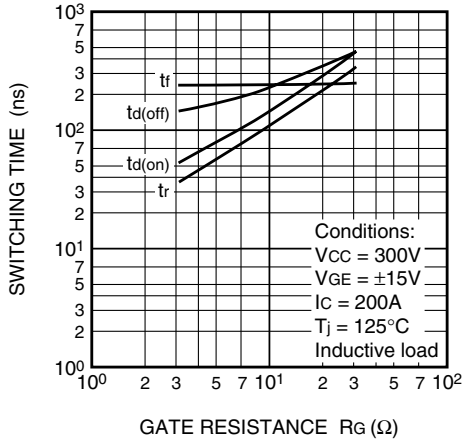


t_{rr} , Q_{rr} test waveform

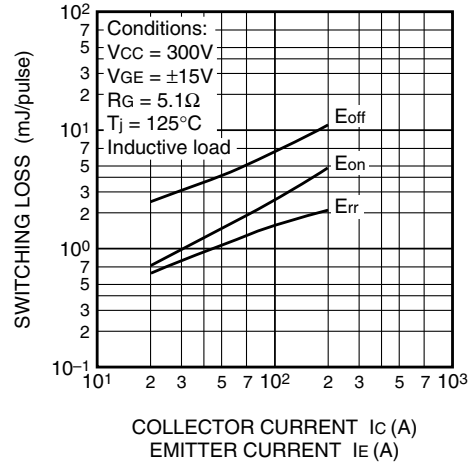
PERFORMANCE CURVES



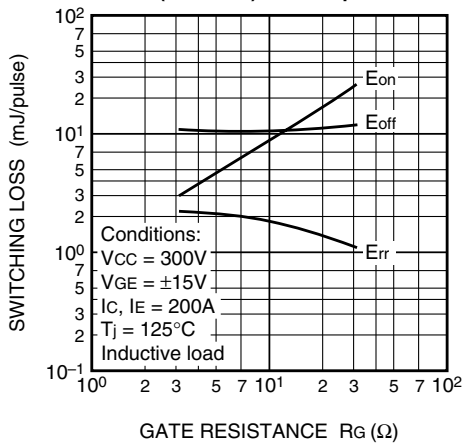
HALF-BRIDGE SWITCHING CHARACTERISTICS (TYPICAL) Inverter part



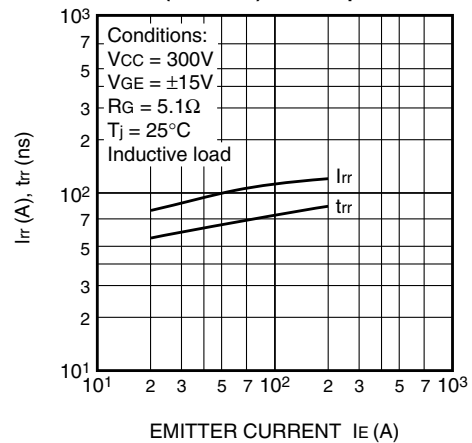
HALF-BRIDGE SWITCHING CHARACTERISTICS (TYPICAL) Inverter part



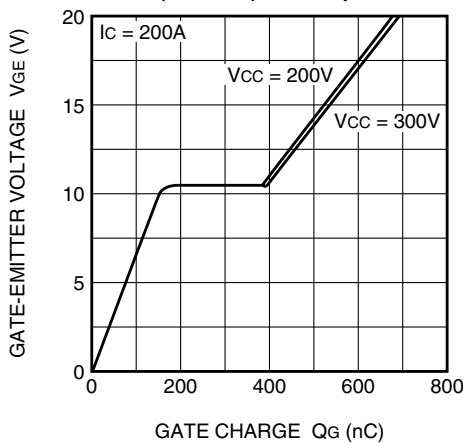
HALF-BRIDGE SWITCHING CHARACTERISTICS (TYPICAL) Inverter part



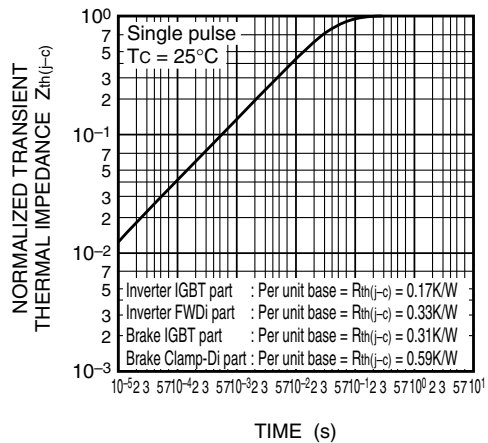
REVERSE RECOVERY CHARACTERISTICS OF FREE WHEELING DIODE (TYPICAL) Inverter part



GATE CHARGE CHARACTERISTICS (TYPICAL) Inverter part



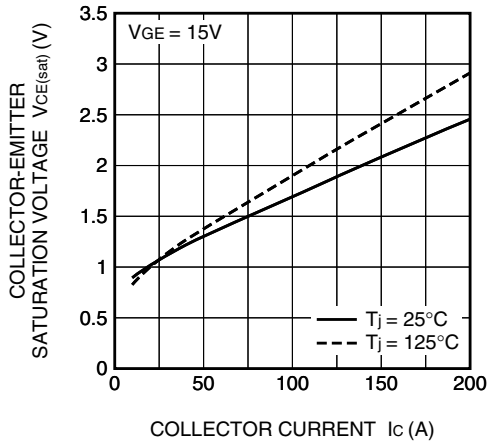
TRANSIENT THERMAL IMPEDANCE CHARACTERISTICS



CM200RX-12A

HIGH POWER SWITCHING USE

COLLECTOR-EMITTER SATURATION VOLTAGE CHARACTERISTICS (TYPICAL) Brake part



CLAMP DIODE FORWARD CHARACTERISTICS (TYPICAL) Brake part

