

<IGBT Modules>

CM600HA-34S

HIGH POWER SWITCHING USE
INSULATED TYPE



single pack

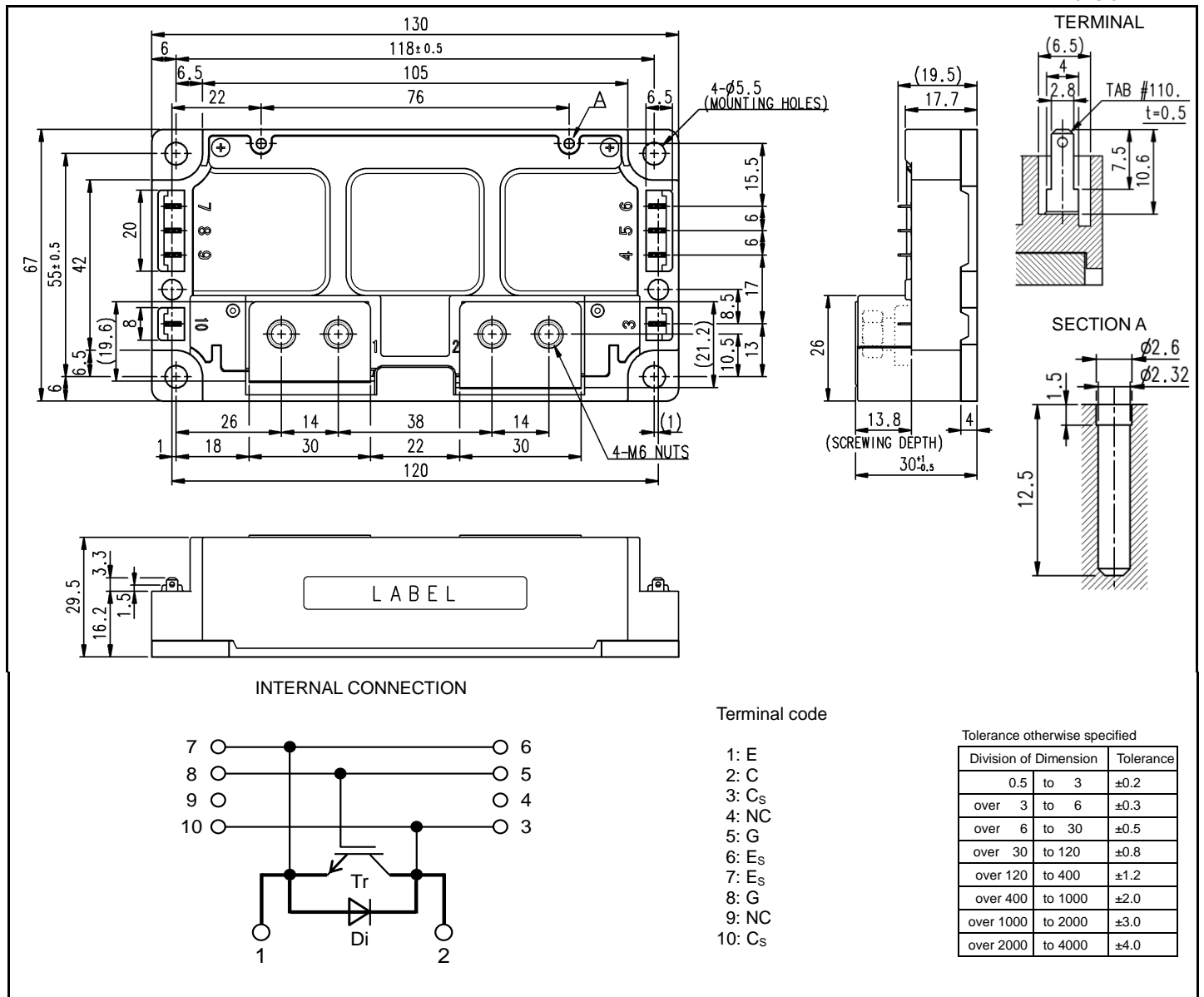
Collector current I_C **600 A**
 Collector-emitter voltage V_{CES} **1700 V**
 Maximum junction temperature T_{vjmax} **175 °C**

- Flat base Type
- Copper base plate
- Tin plating pin terminals
- RoHS Directive compliant
- Recognized under UL1557, File E323585

APPLICATION

AC Motor Control, Motion/Servo Control, Power supply, Photovoltaic power, Wind power, etc.

OUTLINE DRAWING & INTERNAL CONNECTION



CM600HA-34S

HIGH POWER SWITCHING USE
INSULATED TYPE

MAXIMUM RATINGS (T_{vj}=25 °C, unless otherwise specified)

Symbol	Item	Conditions	Rating	Unit
V _{CES}	Collector-emitter voltage	G-E short-circuited	1700	V
V _{GES}	Gate-emitter voltage	C-E short-circuited	± 20	V
I _C	Collector current	DC, T _C =111 °C (Note2, 4)	600	A
I _{CRM}		Pulse, Repetitive (Note3)	1200	
P _{tot}	Total power dissipation	T _C =25 °C (Note2, 4)	4285	W
I _E (Note1)	Emitter current	DC (Note2)	600	A
I _{ERM} (Note1)		Pulse, Repetitive (Note3)	1200	
V _{isol}	Isolation voltage	Terminals to base plate, RMS, f=60 Hz, AC 1 min	4000	V
T _{vjmax}	Maximum junction temperature	Instantaneous event (overload)	175	°C
T _{Cmax}	Maximum case temperature	(Note4)	125	
T _{vjop}	Operating junction temperature	Continuous operation (under switching)	-40 ~ +150	
T _{stg}	Storage temperature	-	-40 ~ +125	

ELECTRICAL CHARACTERISTICS (T_{vj}=25 °C, unless otherwise specified)

Symbol	Item	Conditions	Limits			Unit	
			Min.	Typ.	Max.		
I _{CES}	Collector-emitter cut-off current	V _{CE} =V _{CES} , G-E short-circuited	-	-	1.0	mA	
I _{GES}	Gate-emitter leakage current	V _{GE} =V _{GES} , C-E short-circuited	-	-	0.5	µA	
V _{GE(th)}	Gate-emitter threshold voltage	I _C =60 mA, V _{CE} =10 V	5.4	6.0	6.6	V	
V _{CEsat} (Terminal)	Collector-emitter saturation voltage	I _C =600 A, V _{GE} =15 V, Refer to the figure of test circuit (Note5)	T _{vj} =25 °C	-	2.10	2.60	V
V _{CEsat} (Chip)			T _{vj} =125 °C	-	2.35	-	
			T _{vj} =150 °C	-	2.45	-	
	V _{CEsat} (Chip)	I _C =600 A, V _{GE} =15 V, (Note5)	T _{vj} =25 °C	-	2.00	2.50	V
T _{vj} =125 °C			-	2.25	-		
T _{vj} =150 °C			-	2.35	-		
C _{ies}	Input capacitance	V _{CE} =10 V, G-E short-circuited	-	-	140	nF	
C _{oes}	Output capacitance		-	-	15		
C _{res}	Reverse transfer capacitance		-	-	2.5		
Q _G	Gate charge		V _{CC} =1000 V, I _C =600 A, V _{GE} =15 V	-	2.52		-
t _{d(on)}	Turn-on delay time	V _{CC} =1000 V, I _C =600 A, V _{GE} =±15 V, R _G =0 Ω, Inductive load	-	-	900	ns	
t _r	Rise time		-	-	300		
t _{d(off)}	Turn-off delay time		-	-	900		
t _f	Fall time		-	-	400		
V _{EC} (Note.1) (Terminal)	Emitter-collector voltage	I _E =600 A, G-E short-circuited, Refer to the figure of test circuit (Note5)	T _{vj} =25 °C	-	2.10	2.60	V
V _{EC} (Note.1) (Chip)			T _{vj} =125 °C	-	2.20	-	
			T _{vj} =150 °C	-	2.15	-	
	V _{EC} (Note.1) (Chip)	I _E =600 A, G-E short-circuited, (Note5)	T _{vj} =25 °C	-	2.00	2.50	V
T _{vj} =125 °C			-	2.10	-		
T _{vj} =150 °C			-	2.05	-		
t _{rr} (Note1)	Reverse recovery time	V _{CC} =1000 V, I _E =600 A, V _{GE} =±15 V, R _G =0 Ω, Inductive load	-	-	500	ns	
Q _{rr} (Note1)	Reverse recovery charge		-	120	-		µC
E _{on}	Turn-on switching energy per pulse	V _{CC} =1000 V, I _C =I _E =600 A, V _{GE} =±15 V, R _G =0 Ω, T _{vj} =150 °C, Inductive load	-	287	-	mJ	
E _{off}	Turn-off switching energy per pulse		-	154	-		
E _{rr} (Note1)	Reverse recovery energy per pulse		-	152	-		
R _{CC'+EE'}	Internal lead resistance	Main terminals-chip, T _C =25 °C (Note4)	-	0.2	-	mΩ	
r _g	Internal gate resistance	-	-	3.67	-	Ω	

CM600HA-34S

HIGH POWER SWITCHING USE
INSULATED TYPE

THERMAL RESISTANCE CHARACTERISTICS

Symbol	Item	Conditions	Limits			Unit
			Min.	Typ.	Max.	
$R_{th(j-c)Q}$	Thermal resistance	Junction to case, IGBT (Note4)	-	-	35	K/kW
$R_{th(j-c)D}$		Junction to case, FWD (Note4)	-	-	53.4	
$R_{th(c-s)}$	Contact thermal resistance	Case to heat sink, Thermal grease applied (Note4, 6)	-	18	-	K/kW

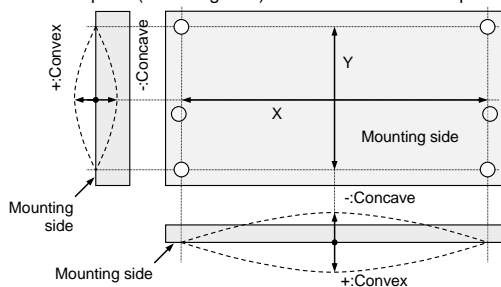
MECHANICAL CHARACTERISTICS

Symbol	Item	Conditions	Limits			Unit
			Min.	Typ.	Max.	
M_t	Mounting torque	Main terminals M 6 screw	3.5	4.0	4.5	N·m
M_s	Mounting torque	Mounting to heat sink M 5 screw	2.5	3.0	3.5	N·m
d_s	Creepage distance	Terminal to terminal	22.0	-	-	mm
		Terminal to base plate	21.9	-	-	
d_a	Clearance	Terminal to terminal	16.5	-	-	mm
		Terminal to base plate	12.5	-	-	
e_c	Flatness of base plate	On the centerline X, Y (Note7)	-50	-	+100	μ m
m	mass	-	-	490	-	g

*: This product is compliant with the Restriction of the Use of Certain Hazardous Substances in Electrical and Electronic Equipment (RoHS) directive 2011/65/EU.

Note1. Represent ratings and characteristics of the anti-parallel, emitter-collector free-wheeling diode (FWD).

- Junction temperature (T_{vj}) should not exceed T_{vjmax} rating.
- Pulse width and repetition rate should be such that the device junction temperature (T_{vj}) dose not exceed T_{vjmax} rating.
- Case temperature (T_c) and heat sink temperature (T_s) are defined on the each surface (mounting side) of base plate and heat sink just under the chips.
Refer to the figure of chip location.
- Pulse width and repetition rate should be such as to cause negligible temperature rise. Refer to the figure of test circuit.
- Typical value is measured by using thermally conductive grease of $\lambda=0.9$ W/(m·K)/ $D_{(c-s)}=100$ μ m.
- The base plate (mounting side) flatness measurement points (X, Y) are shown in the following figure.



- Use the following screws when mounting the printed circuit board (PCB) on the standoffs.
PCB thickness (t1.0).

Type	Size	Tightening torque	Recommended tightening method
(1) PT®	K25x8	0.55 ± 0.055 N·m	by handwork (equivalent to 30 r/min by mechanical screw driver) ~ 600 r/min (by mechanical screw driver)
(2) PT®	K25x10	0.85 ± 0.085 N·m	
(3) DELTA PT®	25x8	0.55 ± 0.055 N·m	
(4) DELTA PT®	25x10	0.85 ± 0.085 N·m	
(5) B1 tapping screw	φ2.6x10 or φ2.6x12	0.85 ± 0.085 N·m	

CM600HA-34S

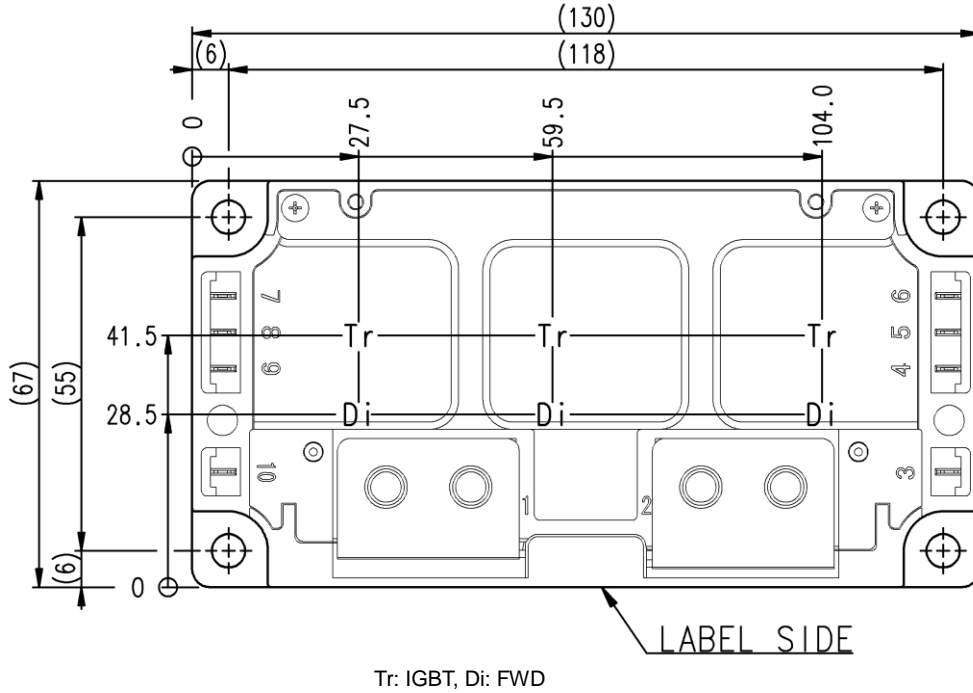
HIGH POWER SWITCHING USE
INSULATED TYPE

RECOMMENDED OPERATING CONDITIONS

Symbol	Item	Conditions	Limits			Unit
			Min.	Typ.	Max.	
V_{CC}	(DC) Supply voltage	Applied across C-E terminals	-	1000	1200	V
V_{GEon}	Gate (-emitter drive) voltage	Applied across G-Es terminals	13.5	15.0	16.5	V
R_G	External gate resistance	-	0	-	15	Ω

CHIP LOCATION (Top view)

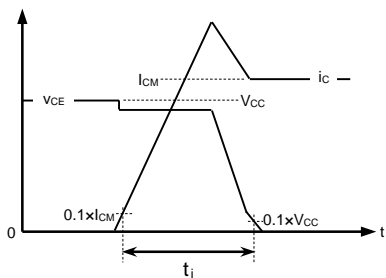
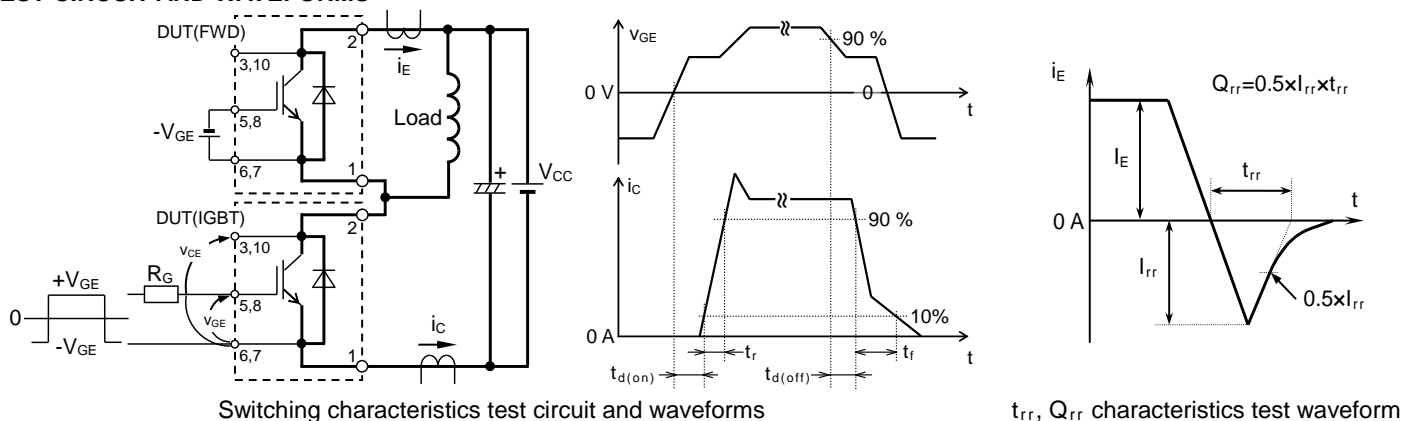
Dimension in mm, tolerance: ± 1 mm



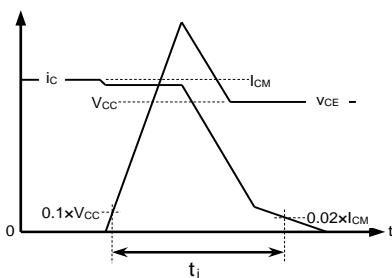
CM600HA-34S

HIGH POWER SWITCHING USE
INSULATED TYPE

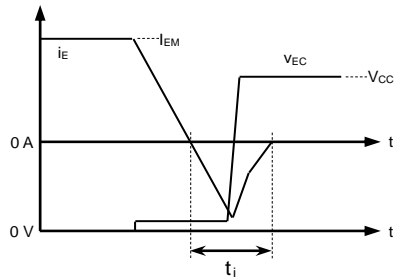
TEST CIRCUIT AND WAVEFORMS



IGBT Turn-on switching energy



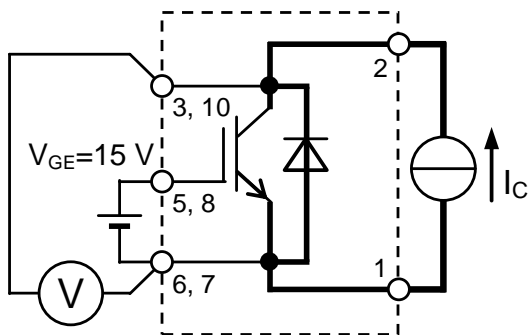
IGBT Turn-off switching energy



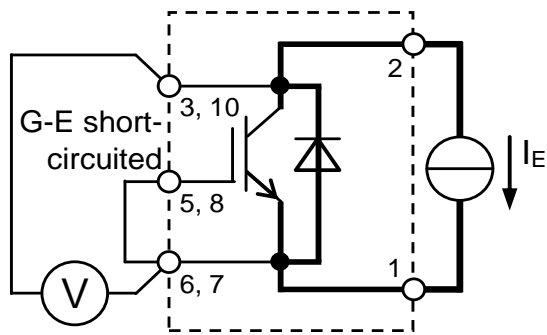
FWD Reverse recovery energy

Turn-on / Turn-off switching energy and Reverse recovery energy test waveforms (Integral time instruction drawing)

TEST CIRCUIT



V_{CEsat} characteristics test circuit



V_{EC} characteristics test circuit

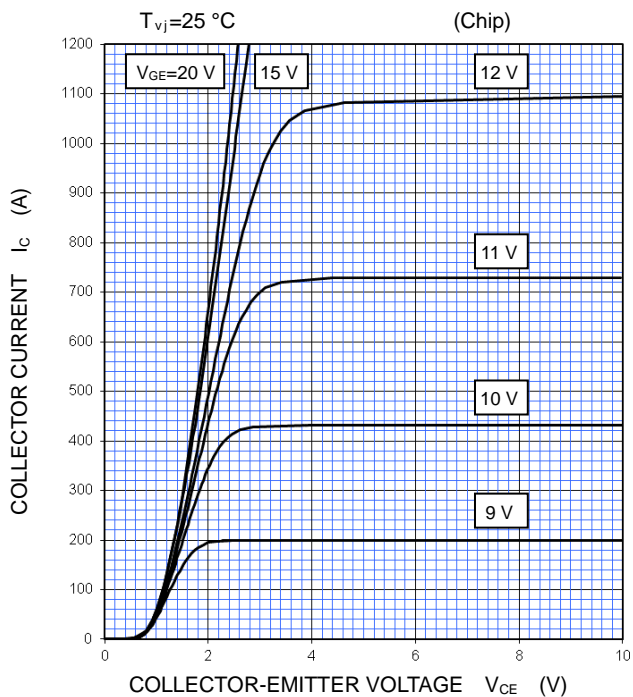
CM600HA-34S

HIGH POWER SWITCHING USE
INSULATED TYPE

PERFORMANCE CURVES

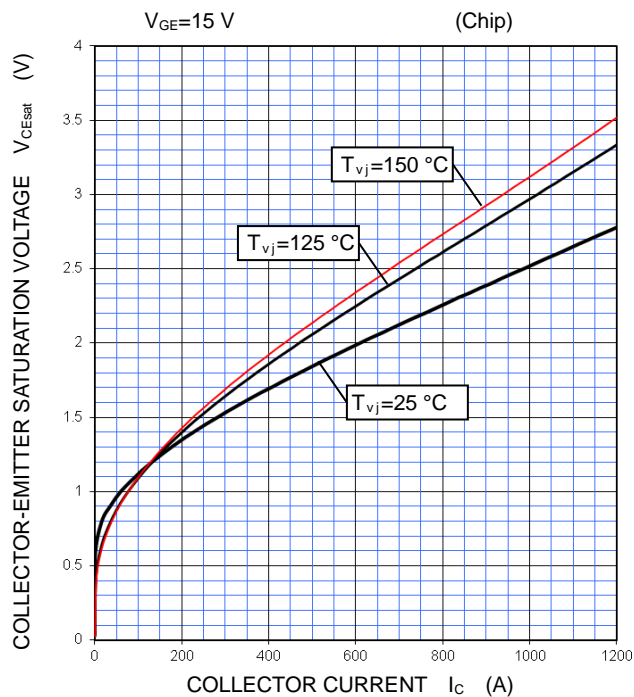
OUTPUT CHARACTERISTICS

(TYPICAL)



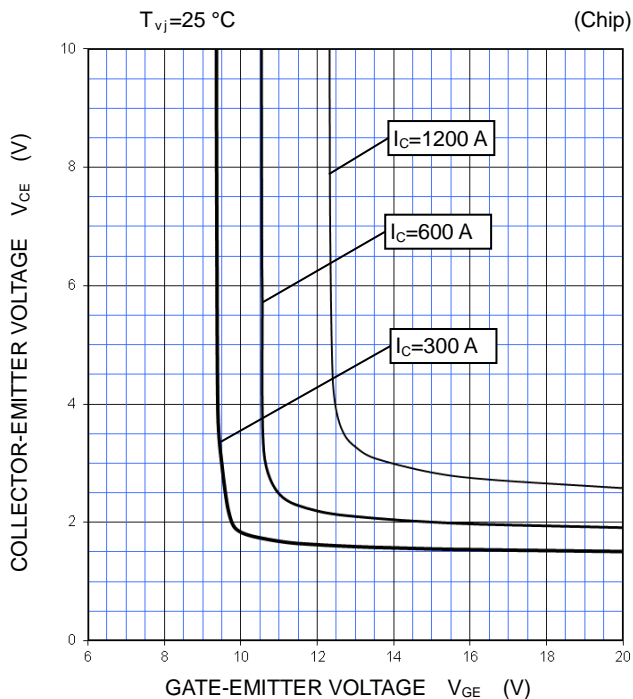
COLLECTOR-EMITTER SATURATION VOLTAGE CHARACTERISTICS

(TYPICAL)



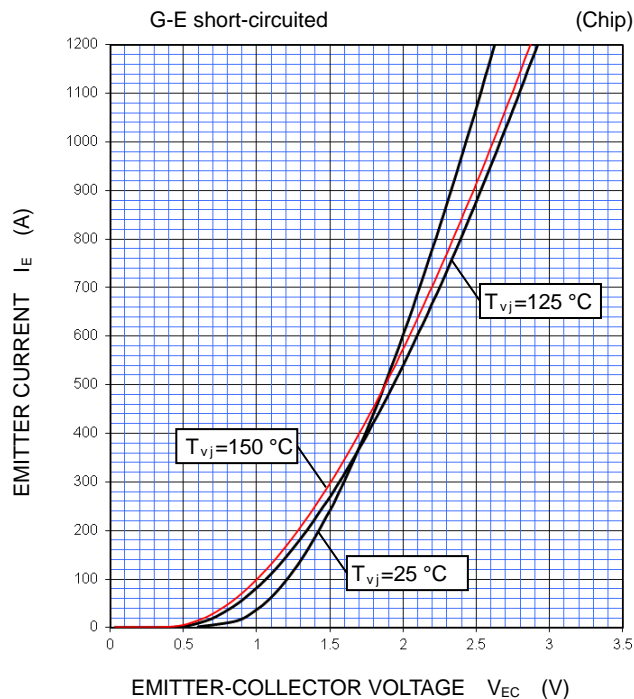
COLLECTOR-EMITTER VOLTAGE CHARACTERISTICS

(TYPICAL)



FREE WHEELING DIODE FORWARD CHARACTERISTICS

(TYPICAL)



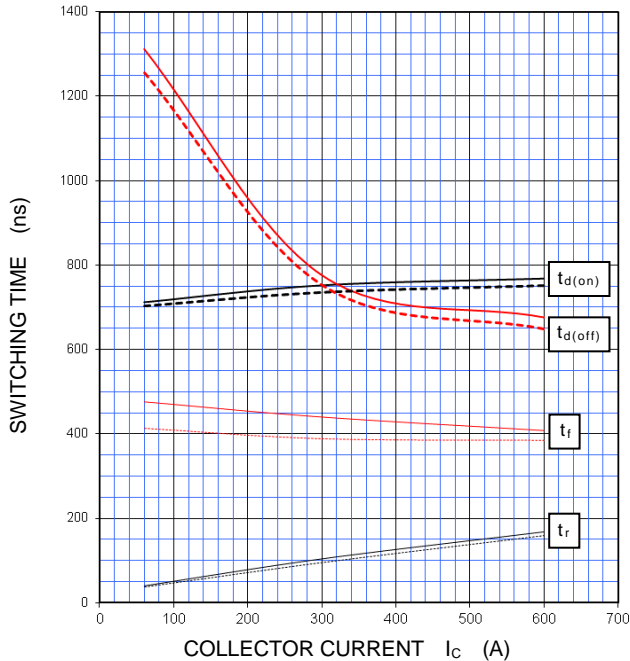
CM600HA-34S

HIGH POWER SWITCHING USE
INSULATED TYPE

PERFORMANCE CURVES

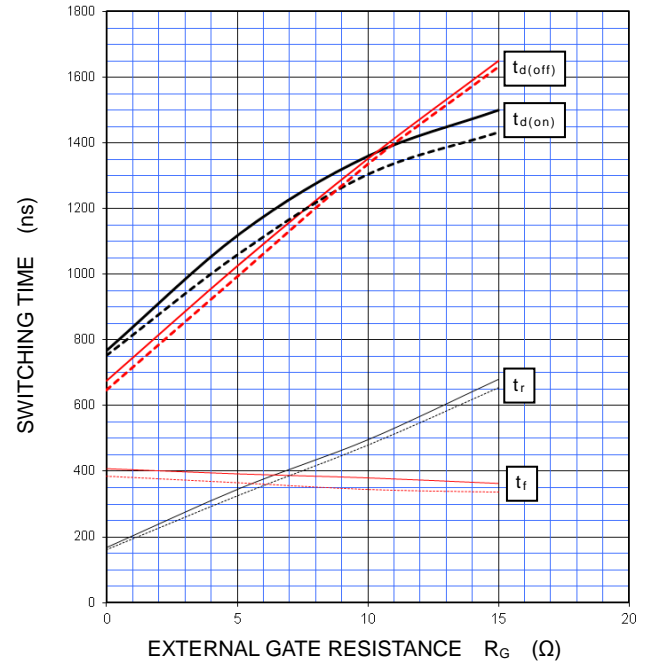
HALF-BRIDGE SWITCHING CHARACTERISTICS (TYPICAL)

$V_{CC}=1000\text{ V}$, $V_{GE}=\pm 15\text{ V}$, $R_G=0\ \Omega$, INDUCTIVE LOAD
——: $T_{vj}=150\text{ }^\circ\text{C}$, - - - -: $T_{vj}=125\text{ }^\circ\text{C}$



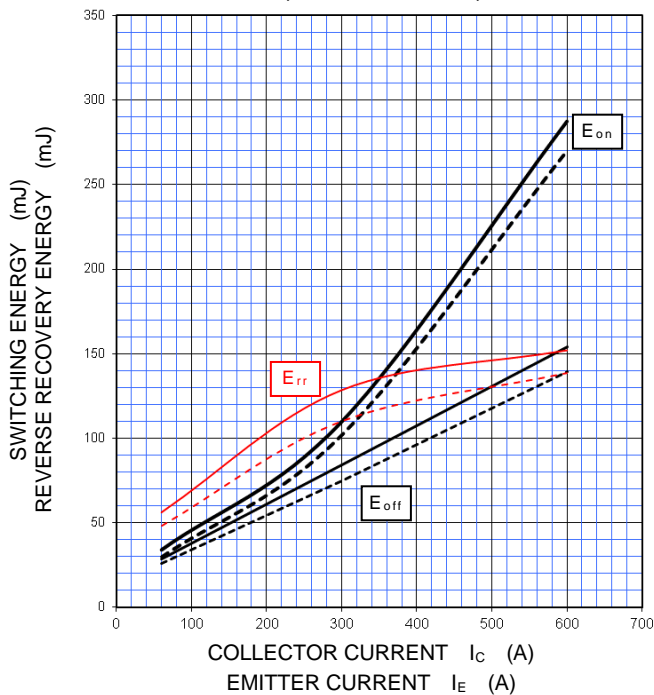
HALF-BRIDGE SWITCHING CHARACTERISTICS (TYPICAL)

$V_{CC}=1000\text{ V}$, $V_{GE}=\pm 15\text{ V}$, $I_C=600\text{ A}$, INDUCTIVE LOAD
——: $T_{vj}=150\text{ }^\circ\text{C}$, - - - -: $T_{vj}=125\text{ }^\circ\text{C}$



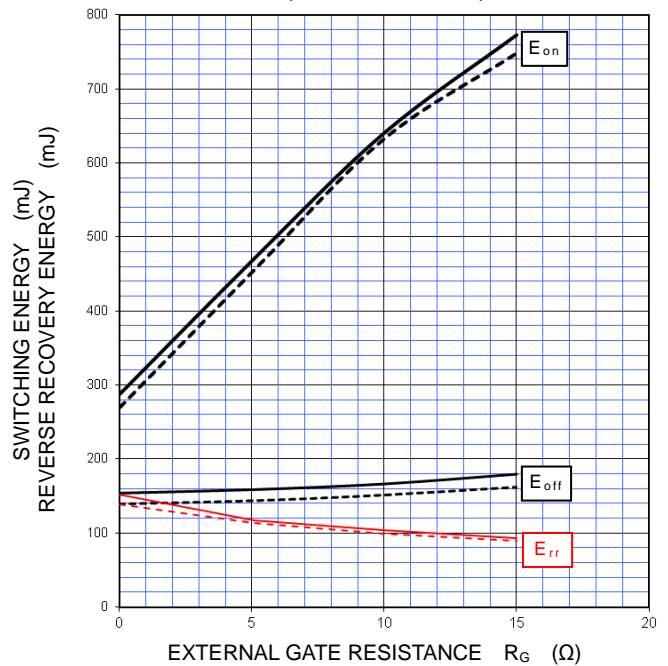
HALF-BRIDGE SWITCHING CHARACTERISTICS (TYPICAL)

$V_{CC}=1000\text{ V}$, $V_{GE}=\pm 15\text{ V}$, $R_G=0\ \Omega$, INDUCTIVE LOAD, PER PULSE
——: $T_{vj}=150\text{ }^\circ\text{C}$, - - - -: $T_{vj}=125\text{ }^\circ\text{C}$



HALF-BRIDGE SWITCHING CHARACTERISTICS (TYPICAL)

$V_{CC}=1000\text{ V}$, $V_{GE}=\pm 15\text{ V}$, $I_C/I_E=600\text{ A}$, INDUCTIVE LOAD, PER PULSE
——: $T_{vj}=150\text{ }^\circ\text{C}$, - - - -: $T_{vj}=125\text{ }^\circ\text{C}$



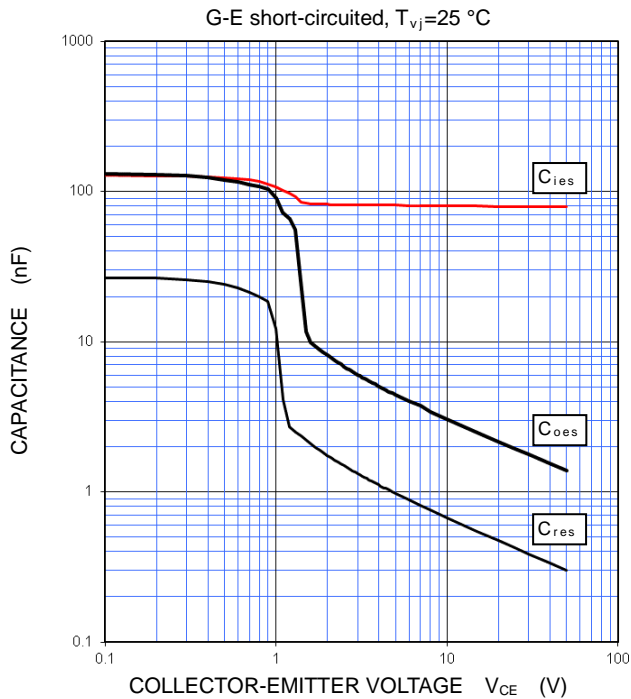
CM600HA-34S

HIGH POWER SWITCHING USE
INSULATED TYPE

PERFORMANCE CURVES

CAPACITANCE CHARACTERISTICS

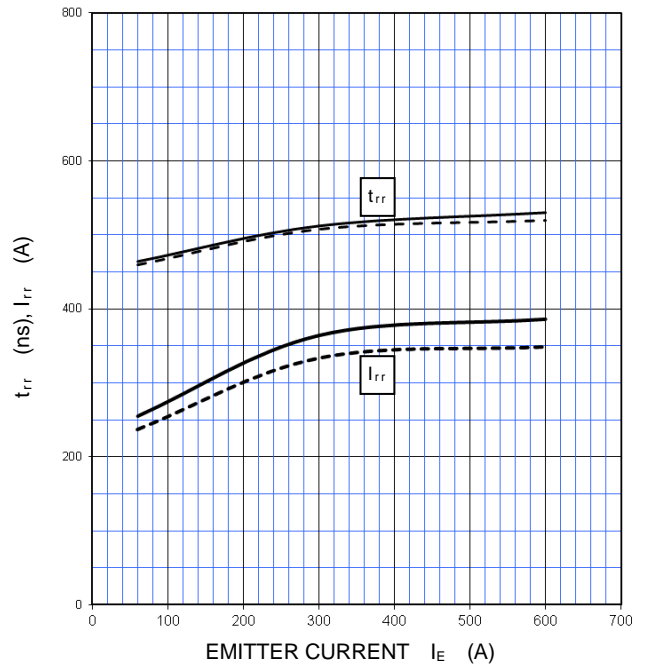
(TYPICAL)



FREE WHEELING DIODE REVERSE RECOVERY CHARACTERISTICS

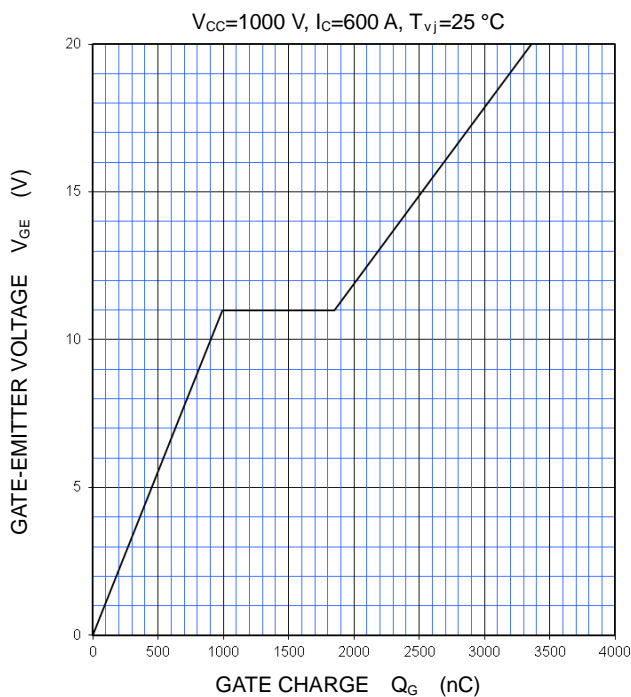
(TYPICAL)

$V_{CC}=1000\text{ V}$, $V_{GE}=\pm 15\text{ V}$, $R_G=0\text{ }\Omega$, INDUCTIVE LOAD
—: $T_{vj}=150\text{ }^{\circ}\text{C}$, - - - -: $T_{vj}=125\text{ }^{\circ}\text{C}$



GATE CHARGE CHARACTERISTICS

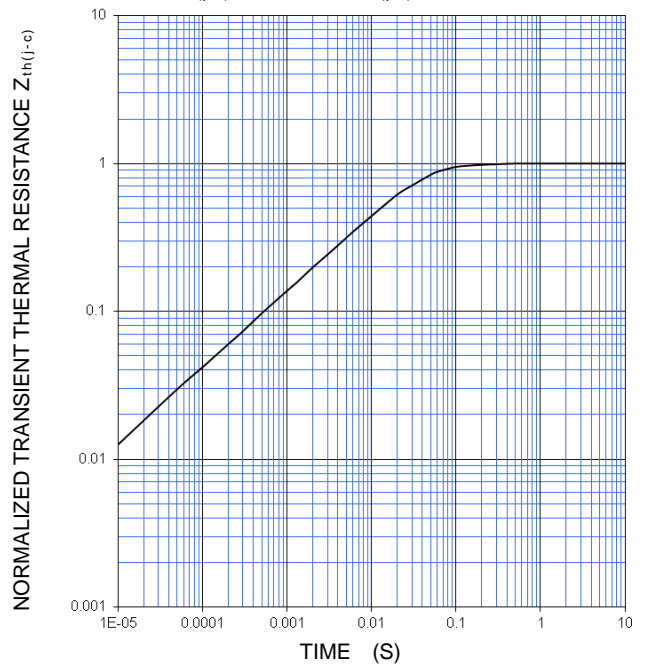
(TYPICAL)



TRANSIENT THERMAL IMPEDANCE CHARACTERISTICS

(MAXIMUM)

Single pulse, $T_C=25\text{ }^{\circ}\text{C}$
 $R_{th(j-c)Q}=35\text{ K/kW}$, $R_{th(j-c)D}=53.4\text{ K/kW}$



Note: The characteristics curves are presented for reference only and not guaranteed by production test, unless otherwise noted.

Keep safety first in your circuit designs!

Mitsubishi Electric Corporation puts the maximum effort into making semiconductor products better and more reliable, but there is always the possibility that trouble may occur with them. Trouble with semiconductors may lead to personal injury, fire or property damage. Remember to give due consideration to safety when making your circuit designs, with appropriate measures such as (i) placement of substitutive, auxiliary circuits, (ii) use of non-flammable material or (iii) prevention against any malfunction or mishap.

Notes regarding these materials

- These materials are intended as a reference to assist our customers in the selection of the Mitsubishi semiconductor product best suited to the customer's application; they do not convey any license under any intellectual property rights, or any other rights, belonging to Mitsubishi Electric Corporation or a third party.
- Mitsubishi Electric Corporation assumes no responsibility for any damage, or infringement of any third-party's rights, originating in the use of any product data, diagrams, charts, programs, algorithms, or circuit application examples contained in these materials.
- All information contained in these materials, including product data, diagrams, charts, programs and algorithms represents information on products at the time of publication of these materials, and are subject to change by Mitsubishi Electric Corporation without notice due to product improvements or other reasons. It is therefore recommended that customers contact Mitsubishi Electric Corporation or an authorized Mitsubishi Semiconductor product distributor for the latest product information before purchasing a product listed herein.
The information described here may contain technical inaccuracies or typographical errors. Mitsubishi Electric Corporation assumes no responsibility for any damage, liability, or other loss rising from these inaccuracies or errors.
Please also pay attention to information published by Mitsubishi Electric Corporation by various means, including the Mitsubishi Semiconductor home page (www.MitsubishiElectric.com/semiconductors/).
- When using any or all of the information contained in these materials, including product data, diagrams, charts, programs, and algorithms, please be sure to evaluate all information as a total system before making a final decision on the applicability of the information and products. Mitsubishi Electric Corporation assumes no responsibility for any damage, liability or other loss resulting from the information contained herein.
- Mitsubishi Electric Corporation semiconductors are not designed or manufactured for use in a device or system that is used under circumstances in which human life is potentially at stake. Please contact Mitsubishi Electric Corporation or an authorized Mitsubishi Semiconductor product distributor when considering the use of a product contained herein for any specific purposes, such as apparatus or systems for transportation, vehicular, medical, aerospace, nuclear, or undersea repeater use.
- The prior written approval of Mitsubishi Electric Corporation is necessary to reprint or reproduce in whole or in part these materials.
- If these products or technologies are subject to the Japanese export control restrictions, they must be exported under a license from the Japanese government and cannot be imported into a country other than the approved destination.
Any diversion or reexport contrary to the export control laws and regulations of Japan and/or the country of destination is prohibited.
- Please contact Mitsubishi Electric Corporation or an authorized Mitsubishi Semiconductor product distributor for further details on these materials or the products contained therein.

Generally the listed company name and the brand name are the trademark of the companies or registered trademarks.